



Starguide Satellite Receiver

Quick Start Instructions

Revision 1.05
April 2005

Clear Channel Satellite Services

7042 South Revere Parkway
Suite 450
Englewood, Colorado 80112
(303)925-1708 / Network Operations
(303)925-1714 / Fax

Please note that more detailed instructions are found in the attached manual.

Front Panel Indicators

Normal Operations Indicators:

SIGNAL LED ON SOLID GREEN
SYNC LED ON SOLID GREEN
STANDBY LED OFF
FAULT LED OFF
POWER LED ON SOLID

SIGNAL LED

The Green SIGNAL LED indicates the receiver has acquired a signal and the relative strength is satisfactory. If the Eb/No drops below 5.0 the signal light will begin to flicker. If the Eb/No level drops below 3.5 the signal LED will be extinguished.

SYNC LED

The Green SYNC LED indicates normal operation. Synchronization and acquisition have been completed.

STANDBY LED

The Green STANDBY LED is not normally lit. Please see the attached manual page 12 for more information.

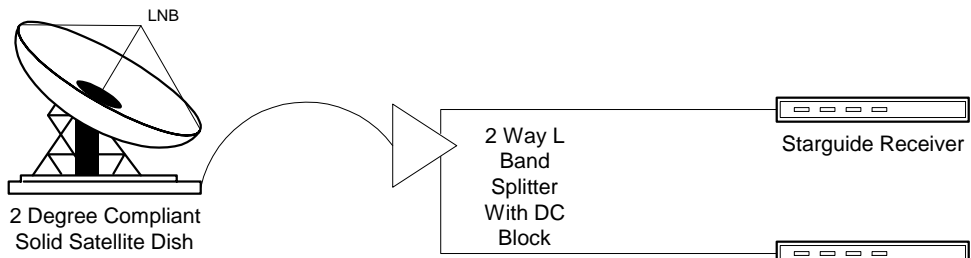
FAULT LED

The Red FAULT LED is not normally lit. This indicates a problem with the Downlink or the receiver. Please contact NSN Network Services at (303) 925-1708 for assistance.

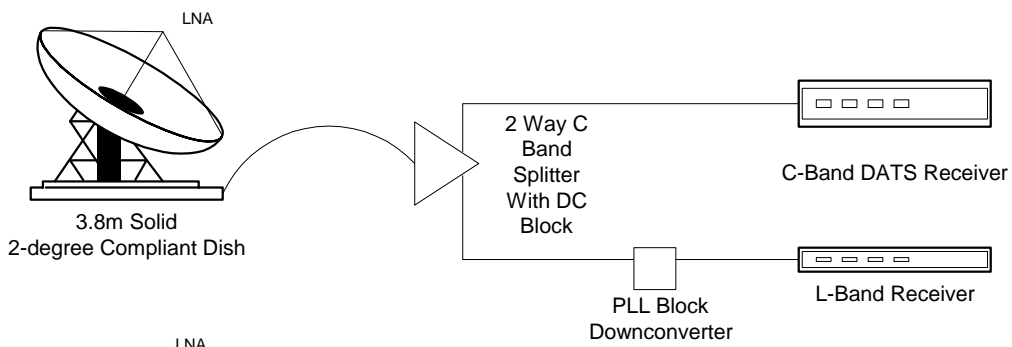
POWER LED

The GREEN POWER LED indicates normal operations. A flashing Power LED usually indicates a short in the cable to the LNB or block down converter. Disconnect the L-Band In cable and check all connections if the LED remains on steady.

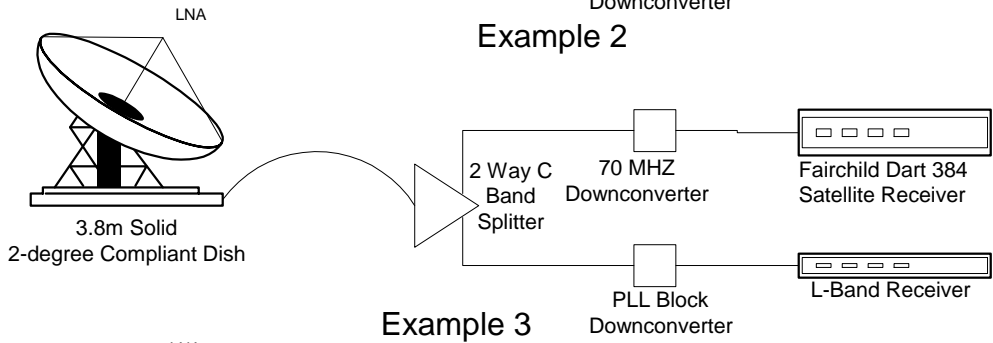
Installation examples



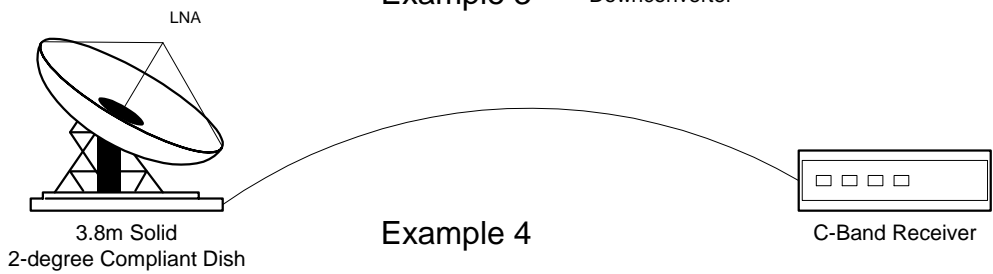
Example 1



Example 2



Example 3



Example 4

Audio and Relay Closures

Connections to Port A (Audio Out)
Connector: DB-9 Female

Starguide Pins	Function
1	<i>GNN Main +</i>
6	<i>GNN Main -</i>
2	Analog Ground
5	<i>Braves Network/GNN Distribution +</i>
9	<i>Braves Network/GNN Distribution -</i>
2	Analog Ground

Contact Closures

Connections to Port A (Digital I/F)
Connector: DB-15 Female

Closure	Starguide Pins	Function
0	2 & 10	A Channel Net Start
1	3 & 11	Mandatory Local Rejoin
2	4 & 12	Currently Unused
3	5 & 13	Currently Unused

Installation

- Connect the Starguide Receiver to the L-Band feed from your satellite dish using RG-6 coaxial cable. (Examples are included on the next page.) The dish must have already been aligned to Satcom C5 using either a Hewlett Packard or Tektronix analyzer. We do NOT recommend the use of signal strength meters or other types of test equipment.
- Connect power to the receiver, you will see the normal diagnostic messages, completing with:

STARGUIDE II TRACKING

To verify proper operations follow the steps below.

1. Press the Enter Key then press the left arrow key until the display reads STATUS.
2. Press Enter and press the left arrow key until the display reads SIGNAL STRENGTH
3. This will display the Eb/No (Signal Quality).
This reading must be a steady (less than 1db of variance) 8.0 OR GREATER.
If not you will need to re-align your azimuth, elevation or polarization on your dish using a spectrum analyzer.



Georgia News Network Is Fed On

**AMC-8
Transponder 21-Vertical**

**Channel Info for Port A
Provider: NSN-CCSS
Service: Georgia News Network**

For Technical Support

**Clear Channel Satellite Services
Network Operations**

(303)925-1708

Please post in the control room for your broadcast